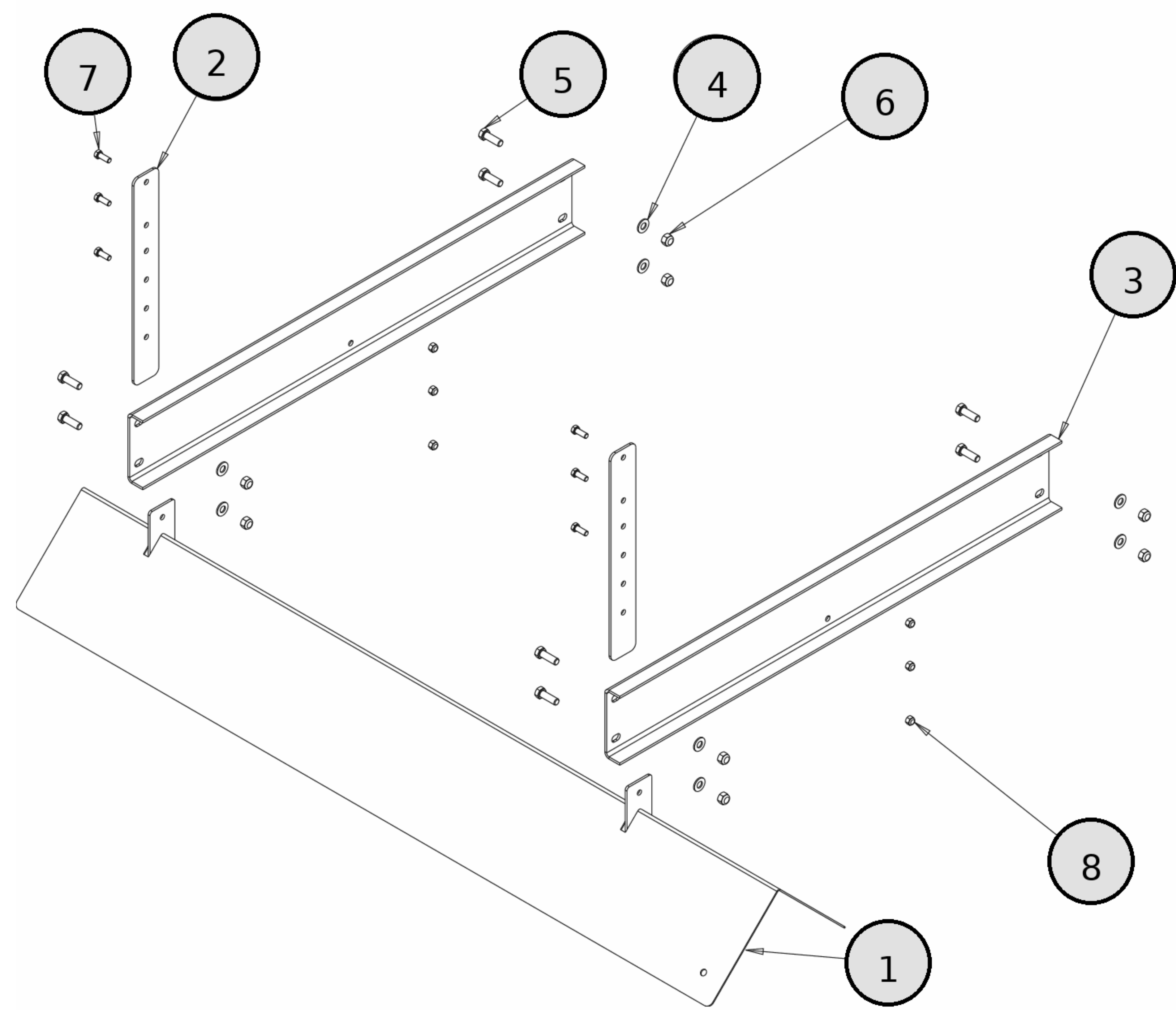




MIDSIZE SPREADERS - HYDRAULIC

FIGURE LIST

| Page | Description |
|------|---|
| 1 | 14710F382211 14709F382211 14708F382211 INVERTED VEE |
| 2 | 14710F383211 14710F382211 14709F383211 14709F382211 14708F383211 14708F382211 LOW PROFILE SCREEN KITS |
| 3 | 14710F522211 14710F462211 14710F382211 14709F522211 14709F462211 14709F382211 14708F462211 14708F382211 HOPPER ASSEMBLY |
| 5 | 14710F523211 14710F522211 14710F463211 14710F462211 14709F523211 14709F522211 14709F463211 14709F462211 14708F463211 14708F462211 SCREEN KITS |
| 6 | 14710F523211 14710F463211 14710F383211 14709F523211 14709F463211 14709F383211 14708F463211 14708F383211 HOPPER ASSEMBLY |
| 7 | 14710F523211 14710F522211 14710F463211 14710F462211 14710F383211 14710F382211 14709F523211 14709F522211 14709F463211 14709F462211 14709F383211 14709F382211 14708F463211 14708F462211 14708F383211 14708F382211 CHUTE ATTACHMENT HARDWARE |
| 8 | 14710F523211 14710F522211 14710F463211 14710F462211 14710F383211 14709F523211 14709F522211 14709F463211 14709F462211 14709F383211 14708F463211 14708F462211 14708F383211 INVERTED VEE |
| 9 | 14710F523211 14710F522211 14710F463211 14710F462211 14710F383211 14710F382211 14709F523211 14709F522211 14709F463211 14709F462211 14709F383211 14709F382211 14708F463211 14708F462211 14708F383211 14708F382211 HYDRAULIC CHUTE ASSEMBLY |



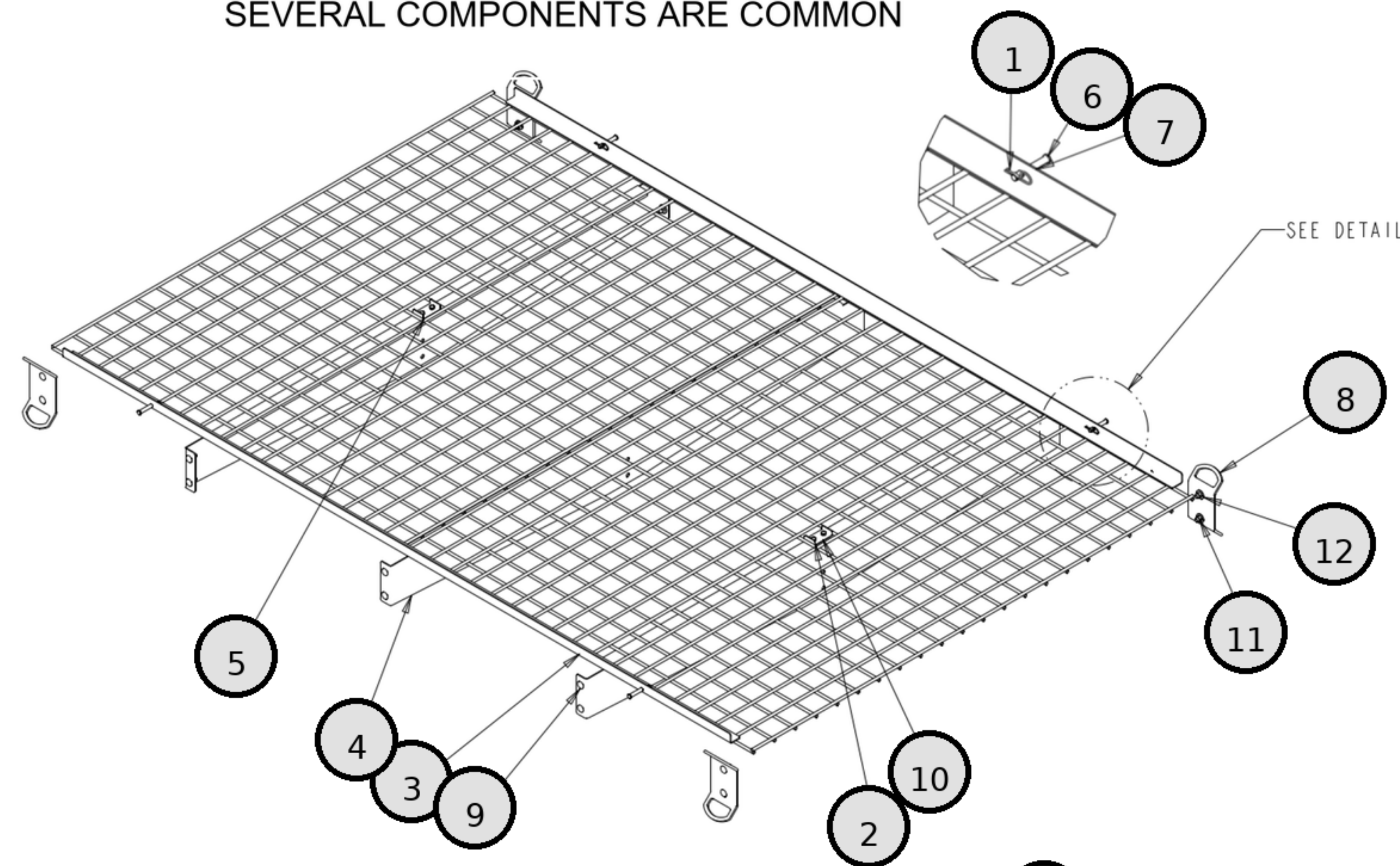
| REF | PN | DESCRIPTION |
|-----|----------------|----------------------------------|
| 1 | 3025254 | INVERTED VEE,WELDMENT 10FT |
| 1 | 3028141 | INVERTED VEE,WELDMENT 9FT |
| 2 | 3030225 | BAR, INVERTED VEE |
| 3 | 3049463 | CROSS MEMBER, 38IN HOPPER |
| 4 | 3003873 | WASHER, FLAT 1/2" SAE TYPE A SST |
| 5 | 3006723 | SCREW, HEX HD 1/2-13X1.5 GR5 SS |
| 6 | FNE050013053SS | NUT, NYLOCK 1/2-13 SS |
| 7 | FCS038016100SS | SCREW, HHC 3/8-16 X 1 304 SST |
| 8 | FNE038016044SS | NUT, NYLOCK 3/8-16 X 7/16 SST |

INVERTED VEE

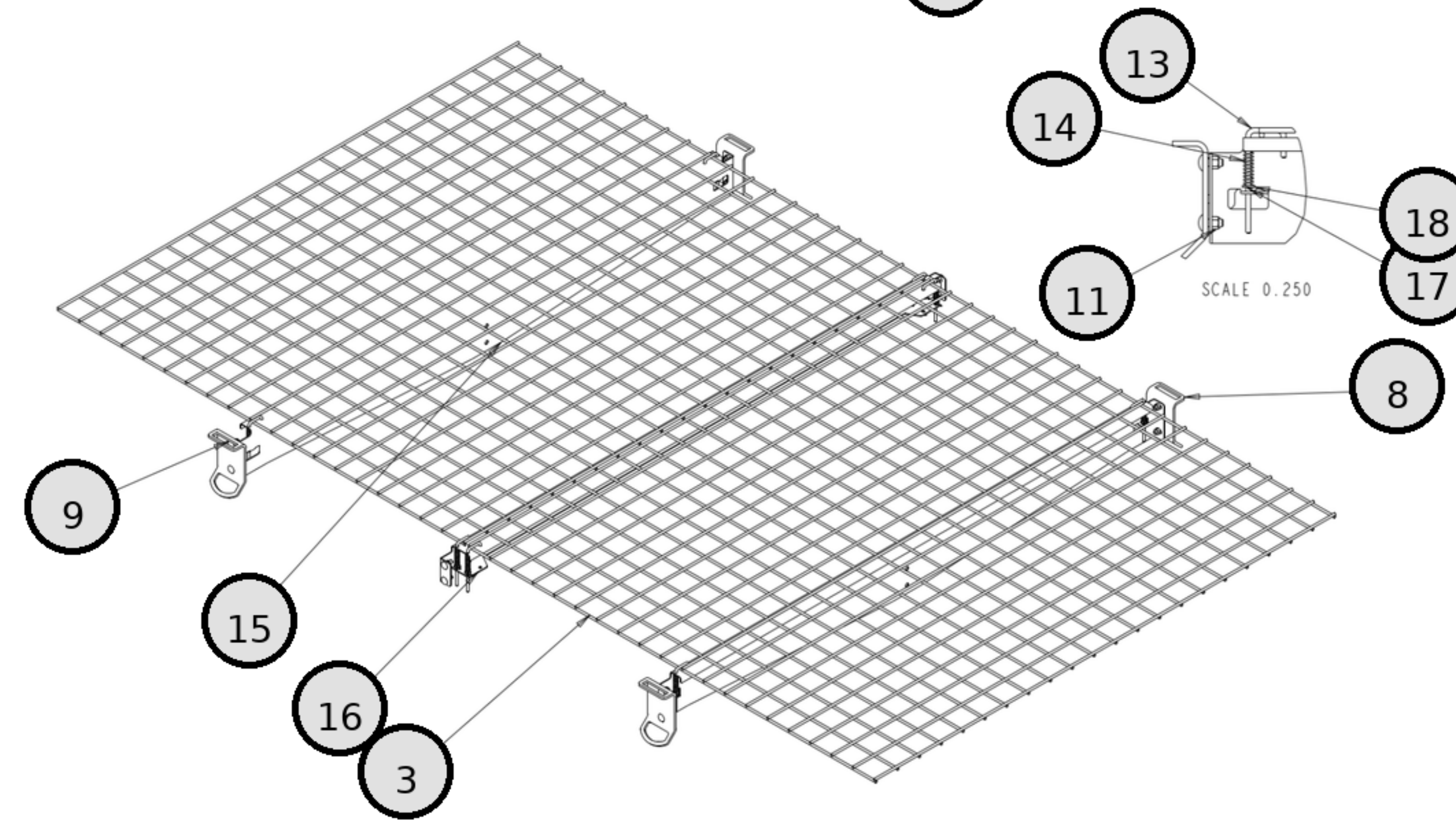
14710F382211 / 14709F382211 / 14708F382211

NOTE: COMPLETE SCREEN KITS ARE NOT BACKWARDS COMPATIBLE
SEVERAL COMPONENTS ARE COMMON

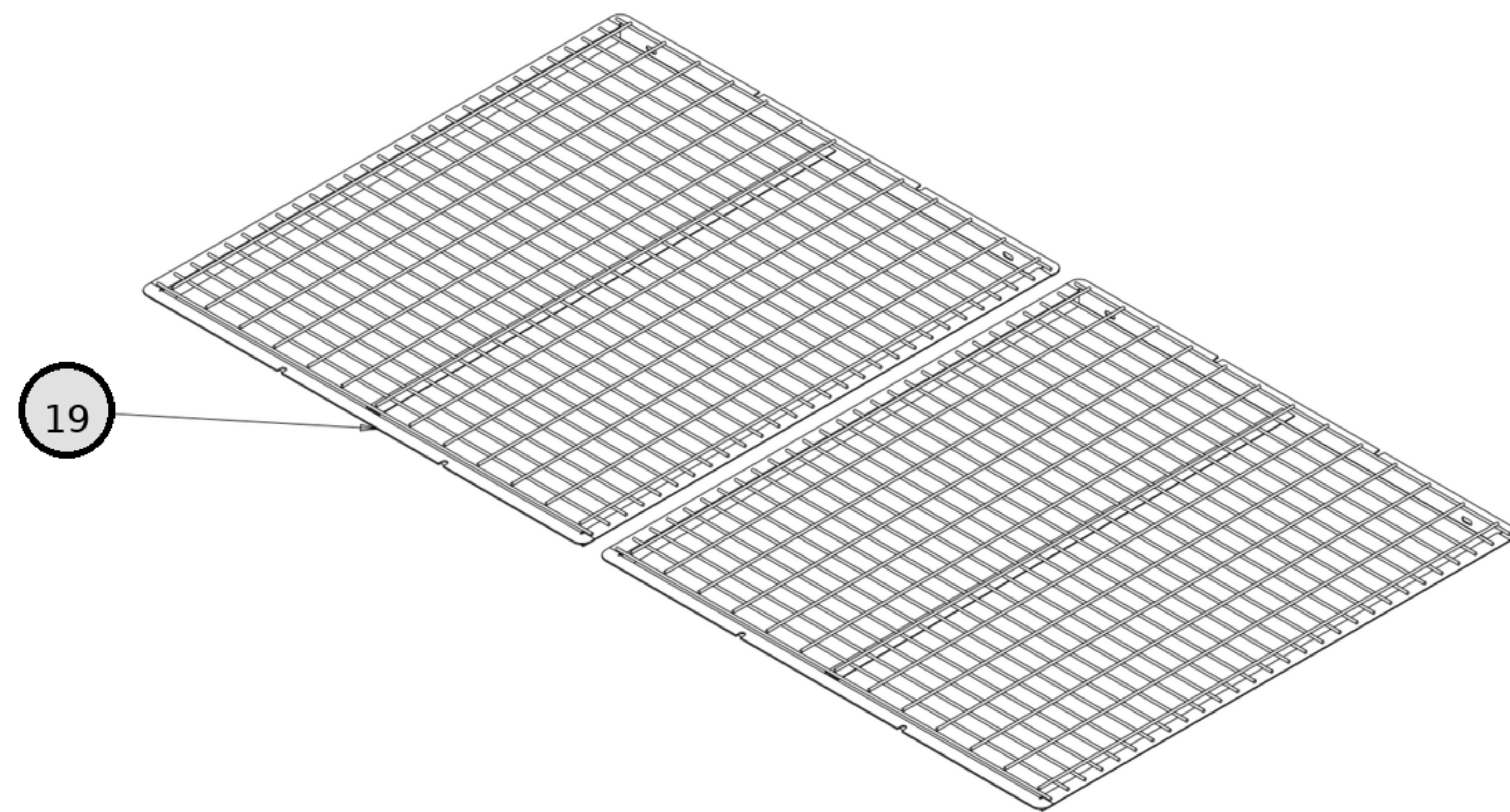
2025 DESIGN
RECESSED SCREEN



2022 DESIGN
FLUSH SCREEN



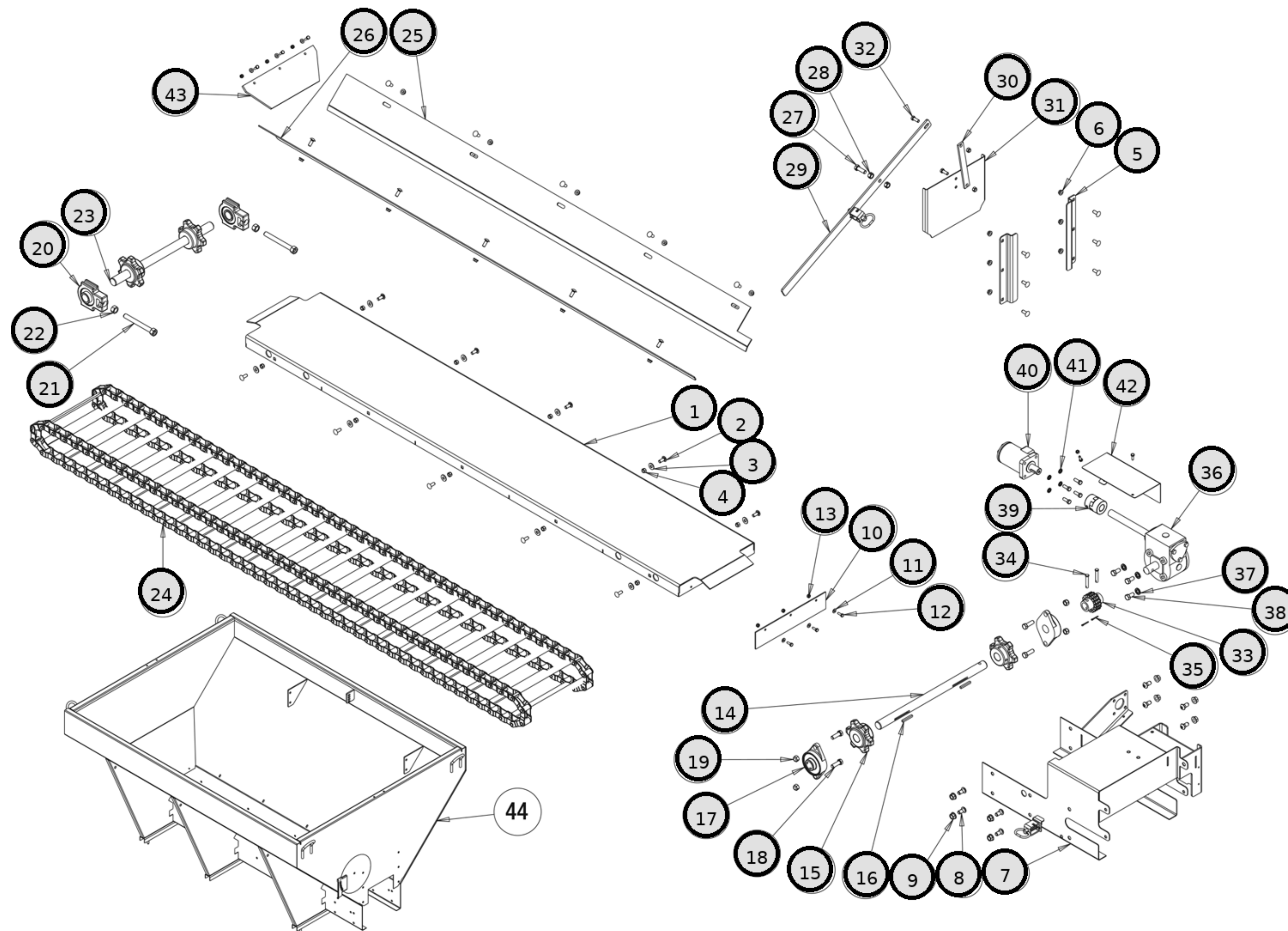
2020 DESIGN
FRAMED SCREEN



| REF | PN | DESCRIPTION |
|-----|----------------|----------------------------------|
| 1 | 3001257 | HAIR PIN, SST |
| 2 | 3018701 | SCREW, HEX HD, 5/16-18 X 1 SST |
| 3 | 3056169 | WIRE MESH, 8FT (2 PER) |
| 3 | 3056169 | WIRE MESH, 8FT (2 PER) |
| 3 | 3056177 | WIRE MESH, 9FT (2 PER) |
| 3 | 3056177 | WIRE MESH, 9FT (2 PER) |
| 3 | 3056182 | WIRE MESH, 10FT (2 PER) |
| 3 | 3056182 | WIRE MESH, 10FT (2 PER) |
| 4 | 3063159 | CROSS MEMBER, SST, MIDSIZE 46/52 |
| 5 | 3063257 | SCREEN LOCATER |
| 6 | 3063685 | CLEVIS PIN, .375X2-1/8 SST |
| 7 | 3063161 | CLAMP, SCREEN, 10FT (2 PER) |
| 7 | 3063965 | CLAMP, SCREEN, 9FT (2 PER) |
| 7 | 3064265 | CLAMP, SCREEN, 8FT (2 PER) |
| 8 | 3064579 | BRACKET, TIE-DOWN, MIDSIZE |
| 8 | 3064579 | BRACKET, TIE-DOWN, MIDSIZE |
| 9 | FCB037516100SS | CARRIAGE BOLT, 3/8-16X1 SST |
| 9 | FCB037516100SS | CARRIAGE BOLT, 3/8-16X1 SST |
| 10 | FNE031018034SS | NYLOCK NUT, 5/16-18 SST WAXED |
| 11 | FNE038016044SS | NYLOCK NUT, 3/8-16 SST WAXED |
| 11 | FNE038016044SS | NYLOCK NUT, 3/8-16 SST WAXED |
| 12 | FWF038100007SS | FLAT WASHER, 3/8 SST |
| 13 | 3054283 | LOCK PIN |
| 14 | 3054284 | LOCK PIN SPRING |
| 15 | 3056168 | CROSS MEMBER, ENDS |
| 16 | 3056167 | CROSS MEMBER, MIDDLE |
| 17 | FPC009000075SS | COTTER PIN, 3/32X3/4 SST |
| 18 | FWF025063007SS | FLAT WASHER, 1/4 SST |
| 19 | 3025436 | SCREEN, 10FT (2 PER) |
| 19 | 3028143 | SCREEN, 9FT (2 PER) |
| 19 | 3028154 | SCREEN, 8FT (2 PER) |

LOW PROFILE SCREEN KITS

14710F383211 / 14710F382211 / 14709F383211 / 14709F382211 / 14708F383211 / 14708F382211

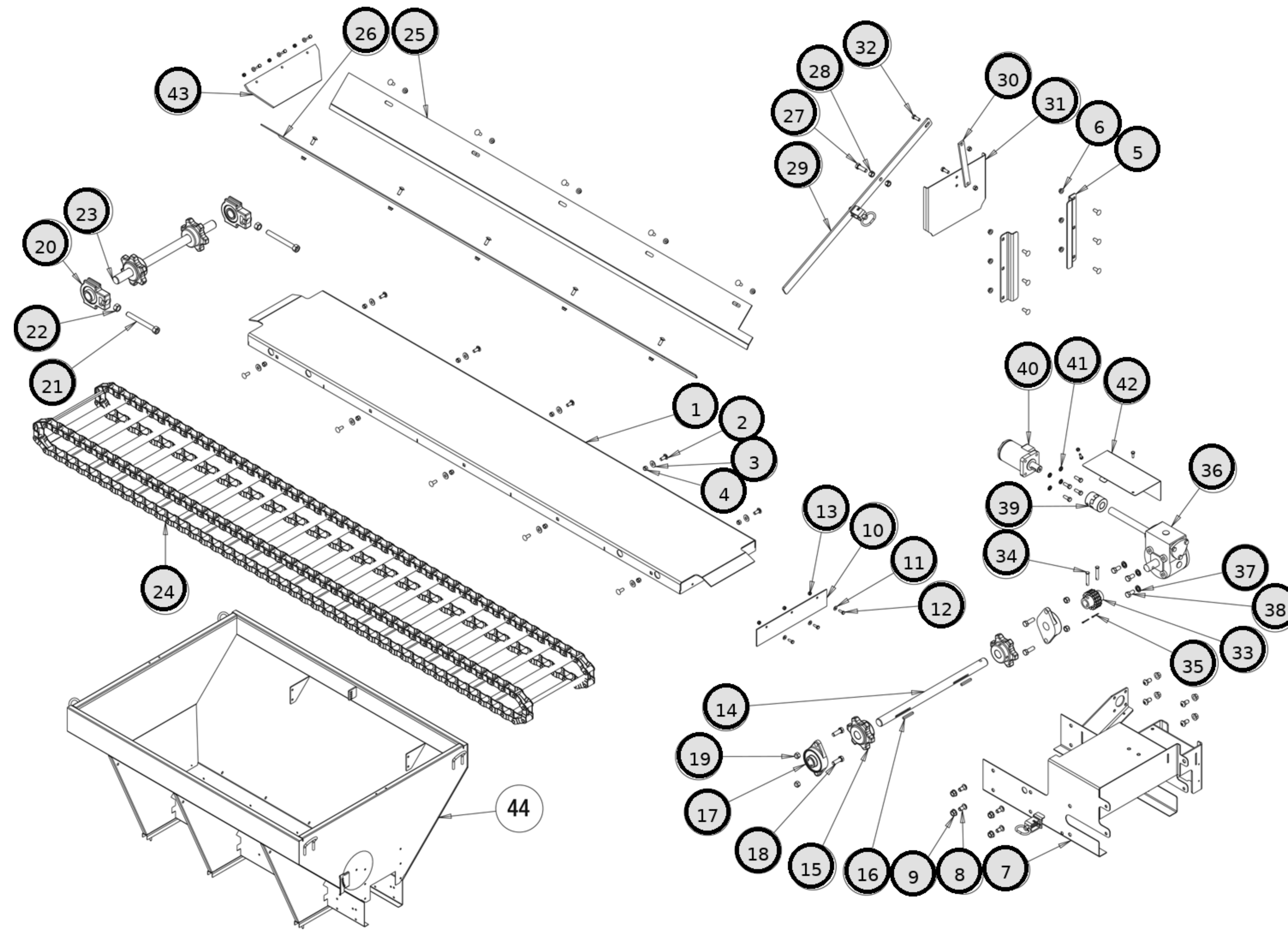


| REF | PN | DESCRIPTION |
|----------------|----------------|--|
| 1 | 3049336 | FLOOR WELDMENT, 8FT |
| 1 | 3050127 | FLOOR WELDMENT, 9FT |
| 1 | 3050400 | FLOOR WELDMENT, 10FT |
| 2 | 3014960 | BOLT, 3/8-16 X 1 CARRIAGE SHORT NECK SST |
| 3 | FWF038100007SS | WASHER, FLAT 3/8 USS SST |
| 4 | FNE038016044SS | NUT, NYLOCK 3/8-16 X 7/16 SST |
| 5 | 3049252 | GUIDE FEEDGATE |
| 6 | 3001255 | NUT, HEX FLNG-3/8-16 SST |
| 7 | 3025245 | MOTOR DECK, WELDMENT |
| 8 | 3004278 | SCREW, BTN HD SOC CAP 1/2-13X 1 SST |
| 9 | 3001523 | NUT, HX FLNG-1/2-13 SST |
| 10 | 3008872 | WIPER BELT, HOPPER |
| 11 | FWF025063007SS | WASHER, FLAT 1/4 SAE SS |
| 12 | FCS025020075SS | SCREW, CAP 1/4-20 X 3/4 SST |
| 13 | FNE025020031SS | NUT, NYLOCK, 1/4-20, GR A, SST |
| 14-19 33-35 | 3053123 | DRIVE SHAFT SERVICE KIT, MIDSIZE |
| 14 | 3008316 | SHAFT, SPROCKET DRIVE END |
| 15 | 3008300 | SPROCKET, D667H CHAIN |
| 16 | KS402 | KEY, 1/4 X 1/4 X 2 |
| 17 | 3008294 | BEARING, FLANGED |
| 18 | 3006723 | SCREW, HEX HD 1/2-13X1.5 GR5 SS |
| 19 | FNE050013053SS | NUT, NYLOCK 1/2-13 SS |
| 20 | 3008290 | BEARING, HEAVY DUTY TAKE-UP |
| 21 | 141050WSS | BOLT, WELDED TAKE UP, SCH IDLER |
| 22 | FNH063011054SS | NUT, HH 5/8-11 X 17/32 HIGH SST |
| 23 | 3008317 | SHAFT, IDLER SPROCKET |
| 24 | 3008860 | CHAIN, D667H CONVEYOR, 9FT |
| 24 | 3009114 | CHAIN, D667H CONVEYOR, 10FT |
| 24 | 3014539 | CHAIN, D667H CONVEYOR, 8FT |
| 25 | 3049257 | SHIELD, CHAIN, PS, 8FT |
| 25 | 3050130 | SHIELD, CHAIN, PS, 9FT |
| 25 | 3050396 | SHIELD, CHAIN, PS, 10FT |
| 26 | 3049353 | SHIELD, CHAIN, DS, 8FT |
| 26 | 3050129 | SHIELD, CHAIN, DS, 9FT |
| 26 | 3050397 | SHIELD, CHAIN, DS, 10FT |
| 27 | FCS050013150SS | SCREW, HHC-1/2-13 X 1.50 SST |
| 28 | 3003874 | NUT, HEX REVERSABLE LOCK 1/2-13 SST |
| 29 | 3011832 | LEVER, WELDED, FEED GATE |
| 30 | 3008339 | BAR, FEED GATE DOOR |
| 31 | 3008338 | DOOR, SALT GATE |
| 32 | FCS038016100SS | SCREW, HHC 3/8-16 X 1 304 SST |
| 33 | 3008289 | COUPLING, DRIVE SHAFT/ GEARBOX |
| 34 | 1410803 | PIN, CLEVIS, 3/8 X 2, 1038 ST, YZN |
| 35 | FPC013000100 | COTTER PIN, 1/8 X 1, ZINC |
| 36 | 1401200 | GEARBOX |
| 37 | FWL050088013SS | WASHER, LOCK - 1/2 SPLIT SST |
| 38 | FCS050013100SS | SCREW, HHC-1/2-13 X 1 SST |
| 39 | 3009215 | COUPLING, SHAFT 1 X 1 |
| 40 | CM004P | MOTOR, HYD 4 BOLT |

HOPPER ASSEMBLY

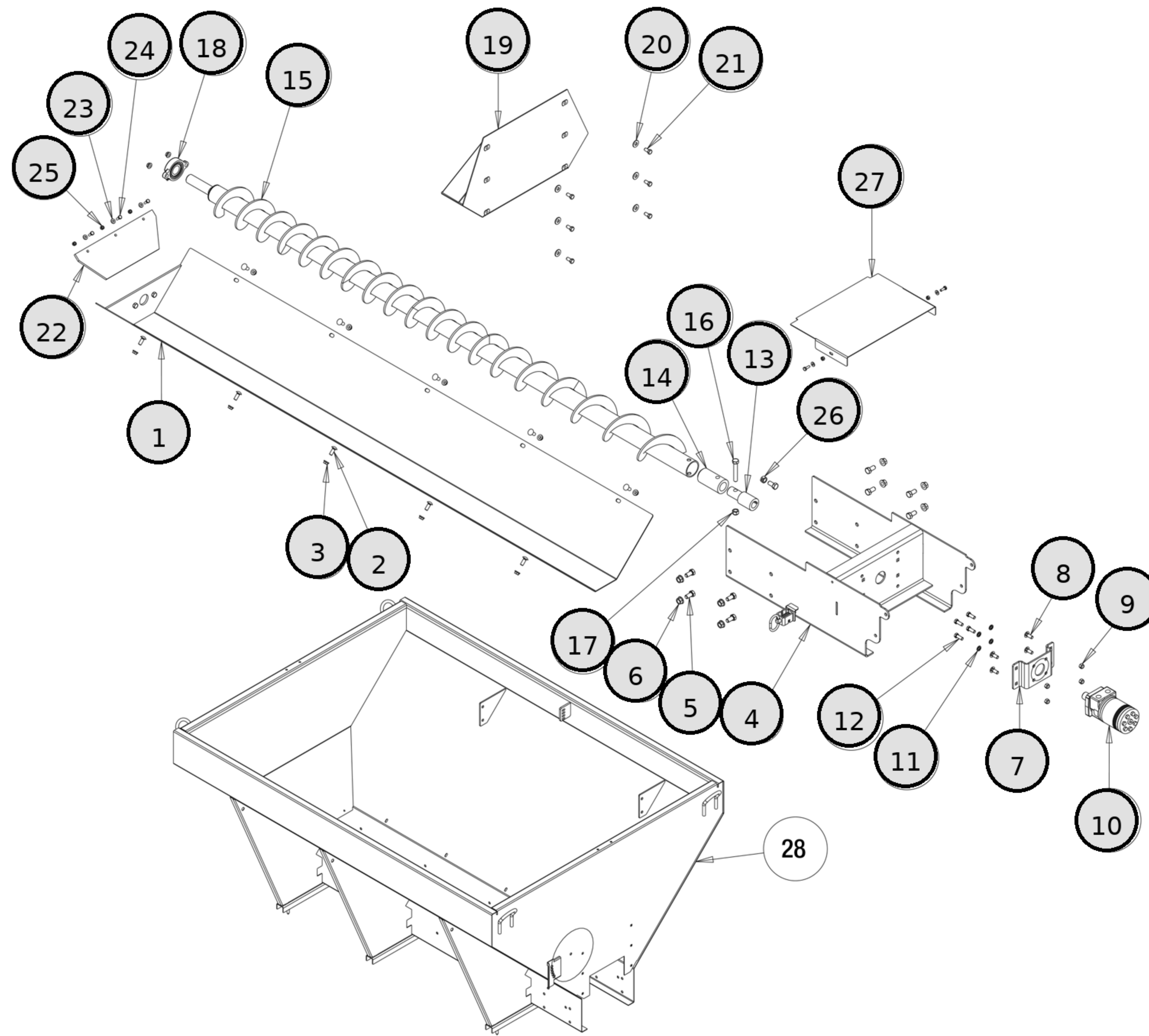
14710F522211 / 14710F462211 / 14710F382211 / 14709F522211 / 14709F462211 / 14709F382211 / 14708F462211 / 14708F382211

| REF | PN | DESCRIPTION |
|-----|----------------|-----------------------------|
| 41 | FWL038069009SS | WASHER, LOCK RHS-3/8 SST |
| 42 | 3025249 | COVER, SHAFT |
| 43 | 3050273 | WIPER BELT, FRONT, MID SIZE |



HOPPER ASSEMBLY

14710F522211 / 14710F462211 / 14710F382211 / 14709F522211 / 14709F462211 / 14709F382211 / 14708F462211 / 14708F382211



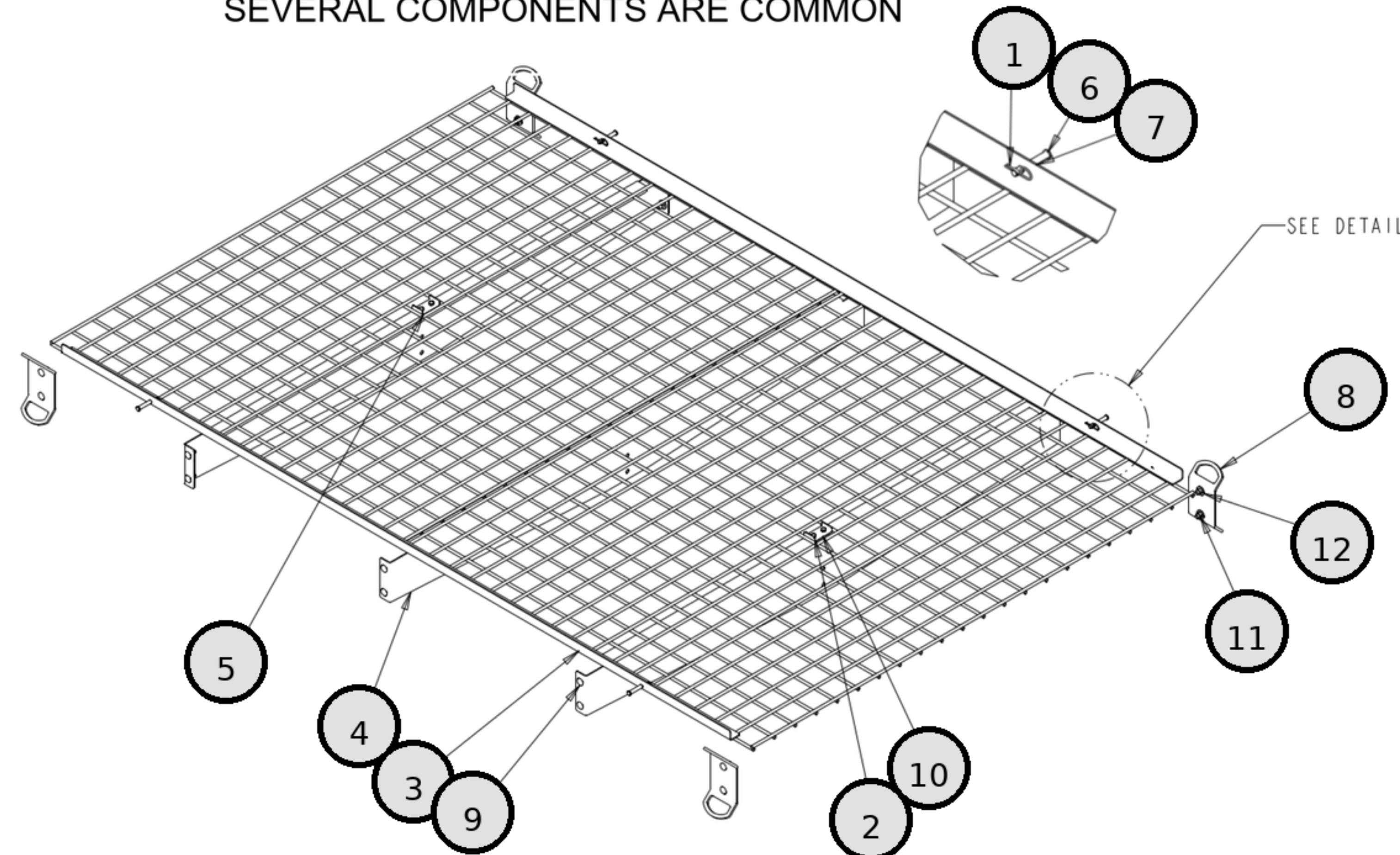
| REF | PN | DESCRIPTION |
|-----|----------------|--|
| 1 | 3049358 | TROUGH WELDMENT 8FT |
| 1 | 3050287 | TROUGH WELDMENT 9FT |
| 1 | 3050423 | TROUGH WELDMENT 10FT |
| 2 | 3014960 | BOLT, 3/8-16 X 1 CARRIAGE SHORT NECK SST |
| 3 | 3001255 | NUT, HEX FLNG-3/8-16 SST |
| 4 | 3049359 | MOTOR MOUNT WELDMENT |
| 5 | FCS050013100SS | SCREW, HHC-1/2-13 X 1 SST |
| 6 | 3001523 | NUT, HX FLNG-1/2-13 SST |
| 7 | 3049363 | MOTOR MOUNT HYDRAULIC |
| 8 | FCB037516100SS | BOLT, 3/8-16 X 1 CARRIAGE SST |
| 9 | FNE038016044SS | NUT, NYLOCK 3/8-16 X 7/16 SST |
| 10 | CM074P | MOTOR, HYD 4 BOLT 17.9 CI/R |
| 11 | FWL038069009SS | WASHER, LOCK RHS-3/8 SST |
| 12 | FCS038016100SS | SCREW, HHC 3/8-16 X 1 304 SST |
| 13 | 924F0084 | WELDMENT, UTS ADAPTOR |
| 14 | 9240083 | SLEEVE, AUGER ADAPTER |
| 15 | 3033660 | AUGER 5.25 VARIABLE, 8FT |
| 15 | 3037473 | AUGER 5.25 VARIABLE, 10FT |
| 15 | 3050289 | AUGER 5.25 VARIABLE, 9FT |
| 16 | 3001250 | SCREW, HHC-1/2-13 X 3 SST |
| 17 | FNE050013053SS | NUT, NYLOCK 1/2-13 SS |
| 18 | 9240086 | BEARING, 1-1/4 FLANGE 2 HOLE |
| 19 | 3049427 | MATERIAL GUIDE WELDMENT |
| 20 | FWF038100007SS | WASHER, FLAT 3/8 USS SST |
| 21 | FCS038016075SS | SCREW, HHC-3/8-16 X 3/4 SST |
| 22 | 3050273 | WIPER BELT, FRONT, MID SIZE |
| 23 | FWF025063007SS | WASHER, FLAT 1/4 SAE SS |
| 24 | FCS025020075SS | SCREW, CAP 1/4-20 X 3/4 SST |
| 25 | FNE025020031SS | NUT, NYLOCK, 1/4-20, GR A, SST |
| 26 | 3003874 | NUT, HEX REVERSABLE LOCK 1/2-13 SST |
| 27 | 3049873 | COVER, AUGER |

HOPPER ASSEMBLY

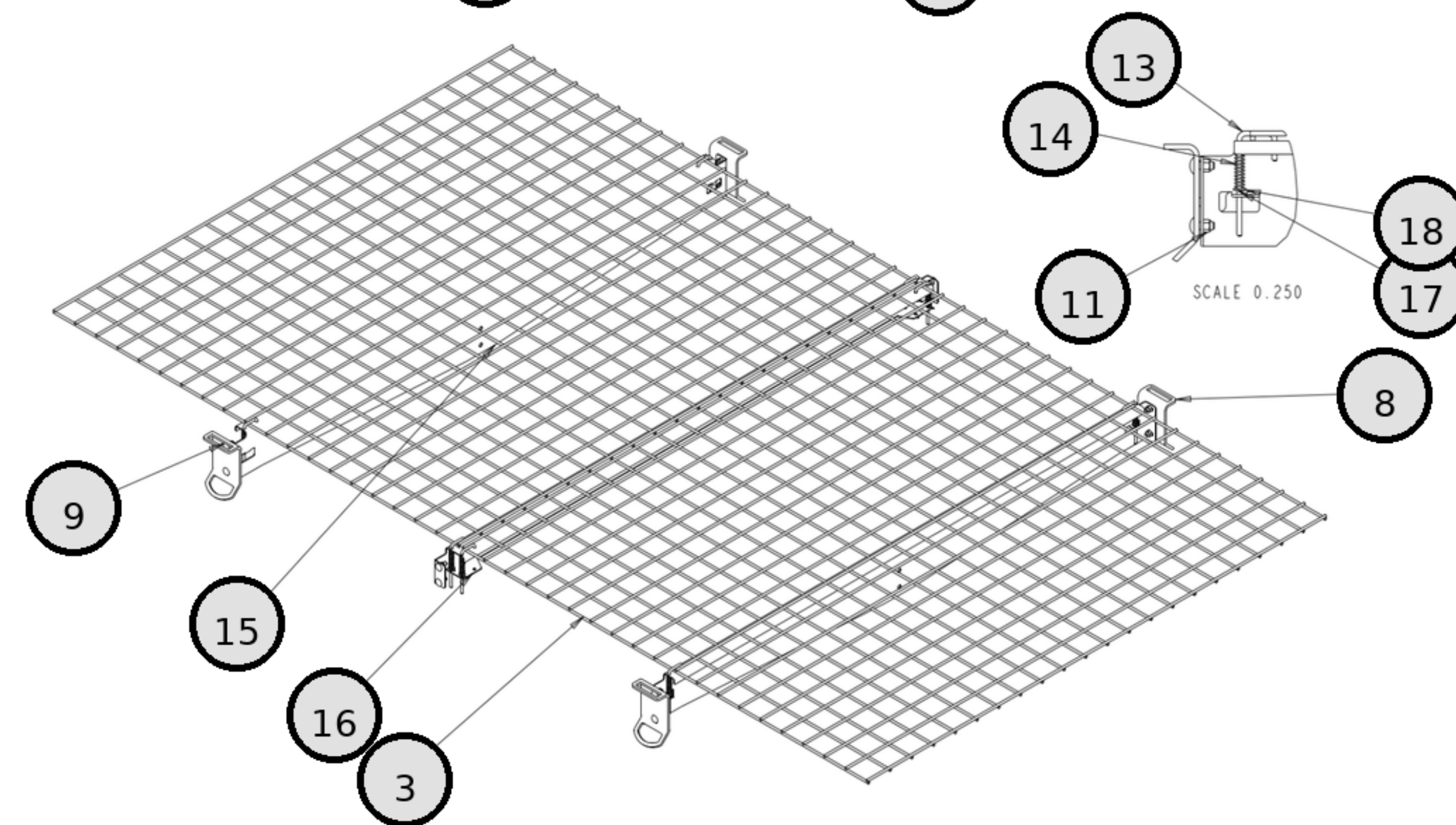
14710F523211 / 14710F463211 / 14710F383211 / 14709F523211 / 14709F463211 / 14709F383211 / 14708F463211 / 14708F383211

NOTE: COMPLETE SCREEN KITS ARE NOT BACKWARDS COMPATIBLE
SEVERAL COMPONENTS ARE COMMON

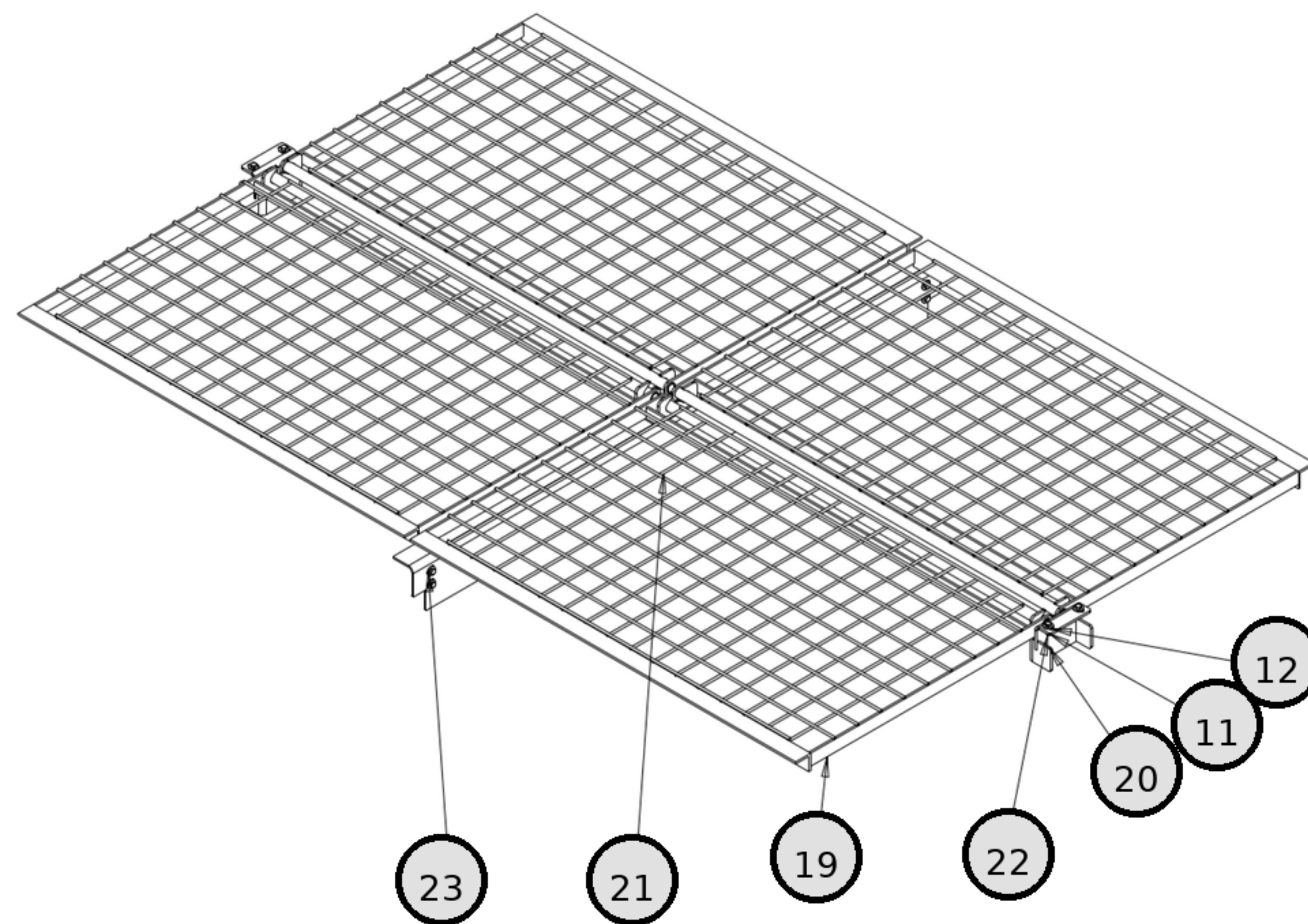
2025 DESIGN
RECESSED SCREEN



2022 DESIGN
FLUSH SCREEN



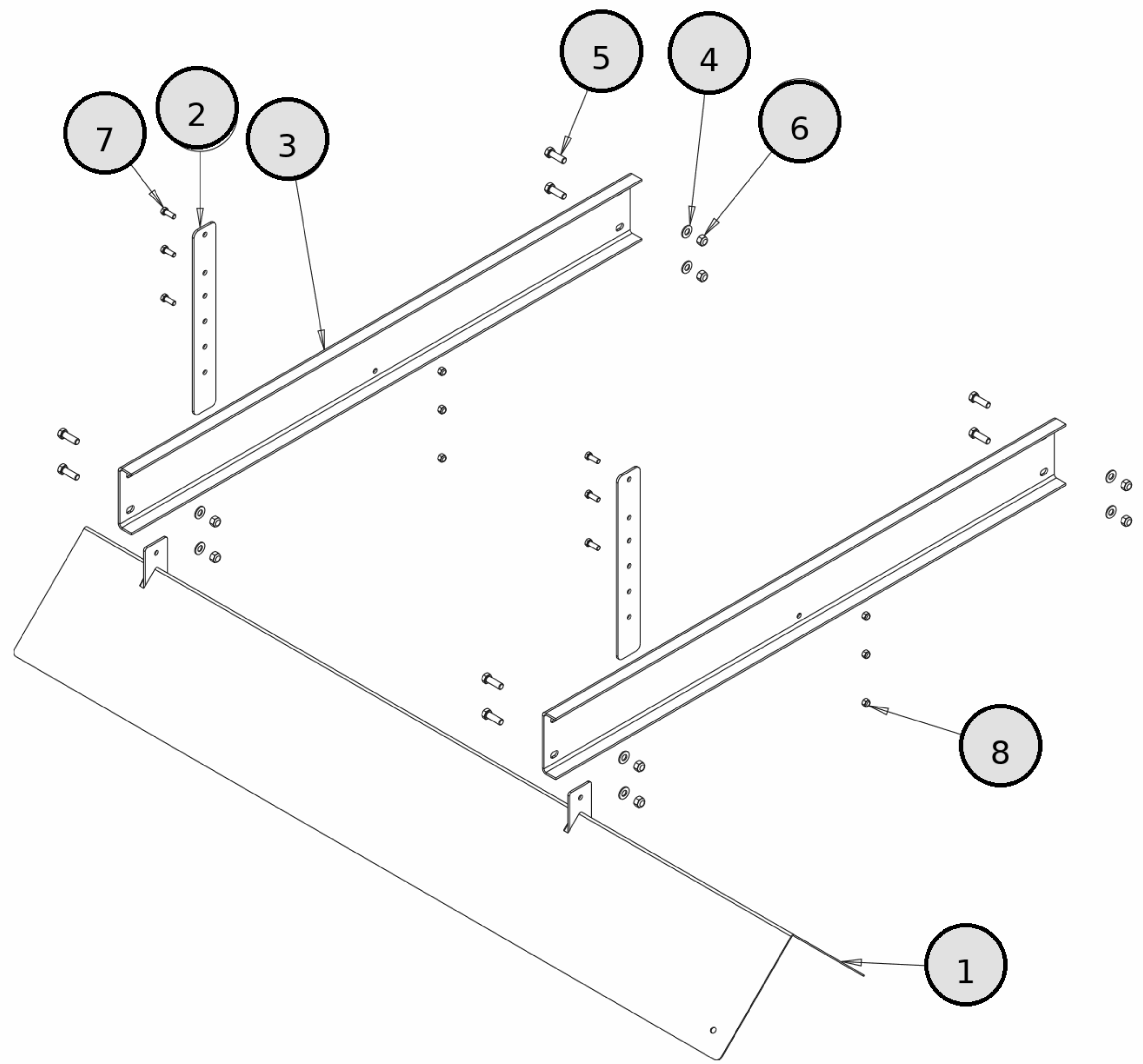
2020 DESIGN
FRAMED SCREEN



| REF | PN | DESCRIPTION |
|-----|----------------|----------------------------------|
| 1 | 3001257 | HAIR PIN, SST |
| 2 | 3018701 | SCREW, HEX HD, 5/16-18 X 1 SST |
| 3 | 3055355 | WIRE MESH, 8FT (2 PER) |
| 3 | 3055355 | WIRE MESH, 8FT (2 PER) |
| 3 | 3055491 | WIRE MESH, 9FT (2 PER) |
| 3 | 3055491 | WIRE MESH, 9FT (2 PER) |
| 3 | 3055498 | WIRE MESH, 10FT (2 PER) |
| 3 | 3055498 | WIRE MESH, 10FT (2 PER) |
| 4 | 3063159 | CROSS MEMBER, SST, MIDSIZE 46/52 |
| 5 | 3063257 | SCREEN LOCATER |
| 6 | 3063685 | CLEVIS PIN, .375X2-1/8 SST |
| 7 | 3063161 | CLAMP, SCREEN, 10FT (2 PER) |
| 7 | 3063965 | CLAMP, SCREEN, 9FT (2 PER) |
| 7 | 3064265 | CLAMP, SCREEN, 8FT (2 PER) |
| 8 | 3064579 | BRACKET, TIE-DOWN, MIDSIZE |
| 8 | 3064579 | BRACKET, TIE-DOWN, MIDSIZE |
| 9 | FCB037516100SS | CARRIAGE BOLT, 3/8-16X1 SST |
| 9 | FCB037516100SS | CARRIAGE BOLT, 3/8-16X1 SST |
| 10 | FNE031018034SS | NYLOCK NUT, 5/16-18 SST WAXED |
| 11 | FNE038016044SS | NYLOCK NUT, 3/8-16 SST WAXED |
| 11 | FNE038016044SS | NYLOCK NUT, 3/8-16 SST WAXED |
| 11 | FNE038016044SS | NYLOCK NUT, 3/8-16 SST WAXED |
| 12 | FWF038100007SS | FLAT WASHER, 3/8 SST |
| 12 | FWF038100007SS | FLAT WASHER, 3/8 SST |
| 13 | 3054283 | LOCK PIN |
| 14 | 3054284 | LOCK PIN SPRING |
| 15 | 3055354 | CROSS MEMBER, ENDS |
| 16 | 3055362 | CROSS MEMBER, MIDDLE |
| 17 | FPC009000075SS | COTTER PIN, 3/32X3/4 SST |
| 18 | FWF025063007SS | FLAT WASHER, 1/4 SST |
| 19 | 3008352 | SCREEN, 9FT (4 PER) |
| 19 | 3009206 | SCREEN, 10FT (4 PER) |
| 19 | 3014545 | SCREEN, 8FT (4 PER) |
| 20 | nan | DETENT WELDMENT |
| 21 | nan | SCREEN SUPPORT |
| 22 | FCS038016100SS | HEX HEAD SCREW, 3/8-16X1 SST |
| 23 | FCS038016125SS | HEX HEAD SCREW, 3/8-16X1-1/4 SST |

SCREEN KITS

14710F523211 / 14710F522211 / 14710F463211 / 14710F462211 / 14709F523211 / 14709F522211 / 14709F463211 / 14709F462211 / 14708F463211 / 14708F462211



| REF | PN | DESCRIPTION |
|-----|----------------|---------------------------------|
| 1 | 3025254 | INVERTED VEE,WELDMENT 10FT |
| 1 | 3028141 | INVERTED VEE,WELDMENT 9FT |
| 1 | 3037082 | INVERTED VEE,WELDMENT 8FT |
| 2 | 3030225 | BAR, INVERTED VEE |
| 3 | 3030224 | CROSS MEMBER, HOPPER |
| 4 | 3003873 | WASHER, FLAT 1/2 ID SST |
| 5 | 3006723 | SCREW, HEX HD 1/2-13X1.5 GR5 SS |
| 6 | FNE050013053SS | NUT, NYLOCK 1/2-13 SS |
| 7 | FCS038016100SS | SCREW, HHC 3/8-16 X 1 304 SST |
| 8 | FNE038016044SS | NUT, NYLOCK 3/8-16 X 7/16 SST |

INVERTED VEE

